

»OPERADOR ELECTROMECHANICO CORREDIZO DE CREMALLERA MODULO 6 INDUSTRIAL  
USO INTENSIVO TECNOLOGIA INVERTER MARCA RIB

●MOD.SUPER 8000 FAST.



SUPER 2200 - SUPER 2200 FAST\*



SUPER 3600 - SUPER 3600 FAST\*  
SUPER 4000



**SUPER 2200 - SUPER 2200 FAST**  
**SUPER 3600 - SUPER 3600 FAST - SUPER 4000**

SUPER is a heavy-duty unit made of cast iron and housing a fan-cooled electric motor protected by heat sensors and a highly precised limit switch system.

SUPER is designed to operate gates weighing up to 4000 kg thanks to its reducer with its mechanical components immersed in an oil bath.

Once installed, the unit only requires occasional maintenance to ensure an efficient and optimal service.

In over three decades of production, the SUPER has undergone only minimal modifications (mainly to its outer design), remaining one of the most successful and renown RIB products throughout the world.

With its oversized mechanical components and ventilation system, SUPER motor is suitable for heavy-duty sliding gates, day in, day out.

Available also in FAST\* version, twice as fast as the standard version.

\* FAST OPERATORS are not suitable for installations in which the mobile gate leaf ends against a post, a U shape bar, because the knocking of gate against these fixed parts cannot always be prevented. The best solution for using FAST OPERATORS is when the gate leaf ends up next to the posts.

SUPER 2200 available soon with magnetic limit switches

**SUPER 6000**

The virtually indestructible SUPER 6000 unit made of cast iron, houses a fan-cooled electric motor protected by heat sensors, a reducer with its mechanical components immersed in an oil bath, hydraulic turbine (for gradual start-up), two independent watertight limit switches and electric brake (to stop the leaf at the end of the run, thereby eliminating the inertia generated).

SUPER 6000 is designed to operate gates weighing up to 6 tons.

Once installed, the unit only requires occasional maintenance to ensure a smooth and efficient service.

**SUPER 8000 FAST**

Evolution of the SUPER 6000 unit, SUPER 8000 FAST has an inverter (for gradual start-up and deceleration in the last part of the run), four independent watertight limit switches and electric brake (to stop the leaf at the end of the run, thereby eliminating the inertia generated).

SUPER 8000 FAST is designed to operate gates weighing up to 8 tons. Hence SUPER 8000 FAST is the most powerful sliding gate operator in the world.

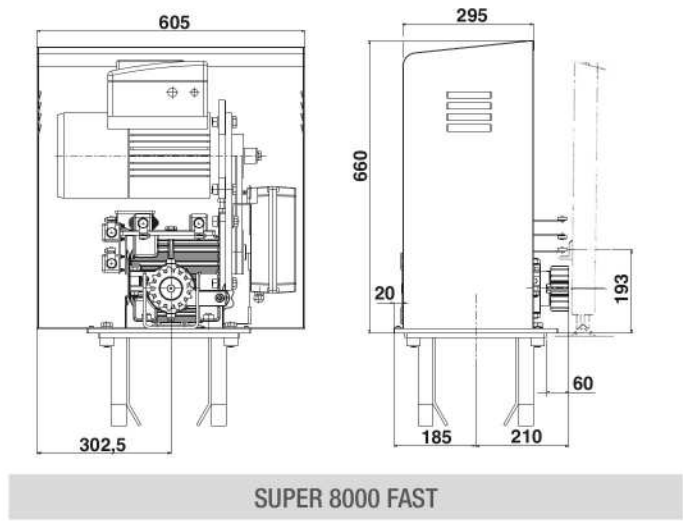
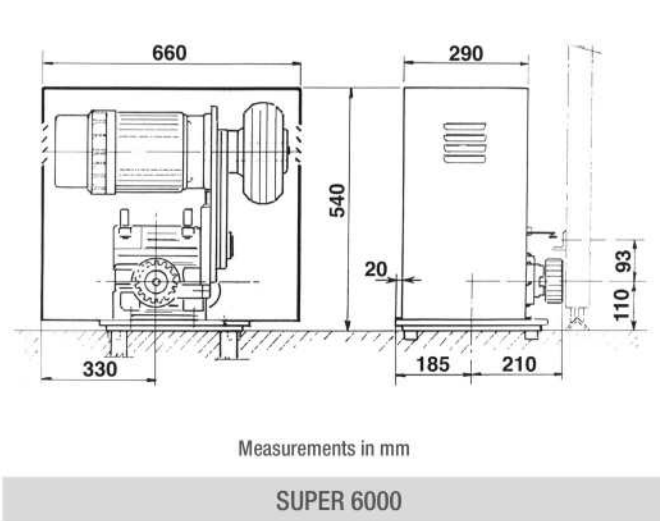
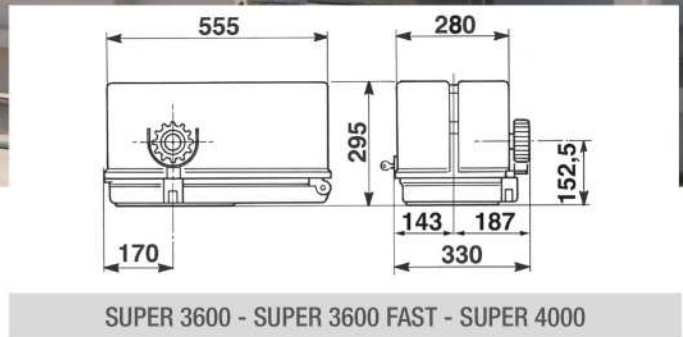
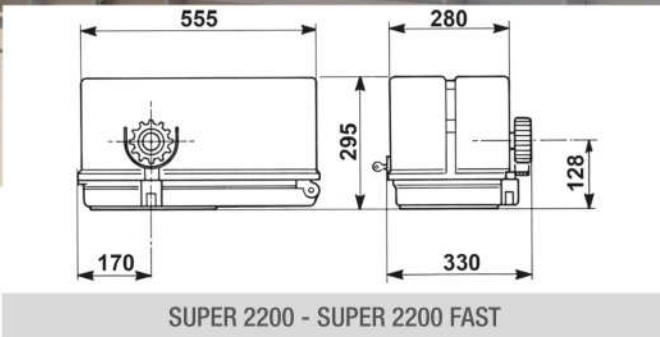
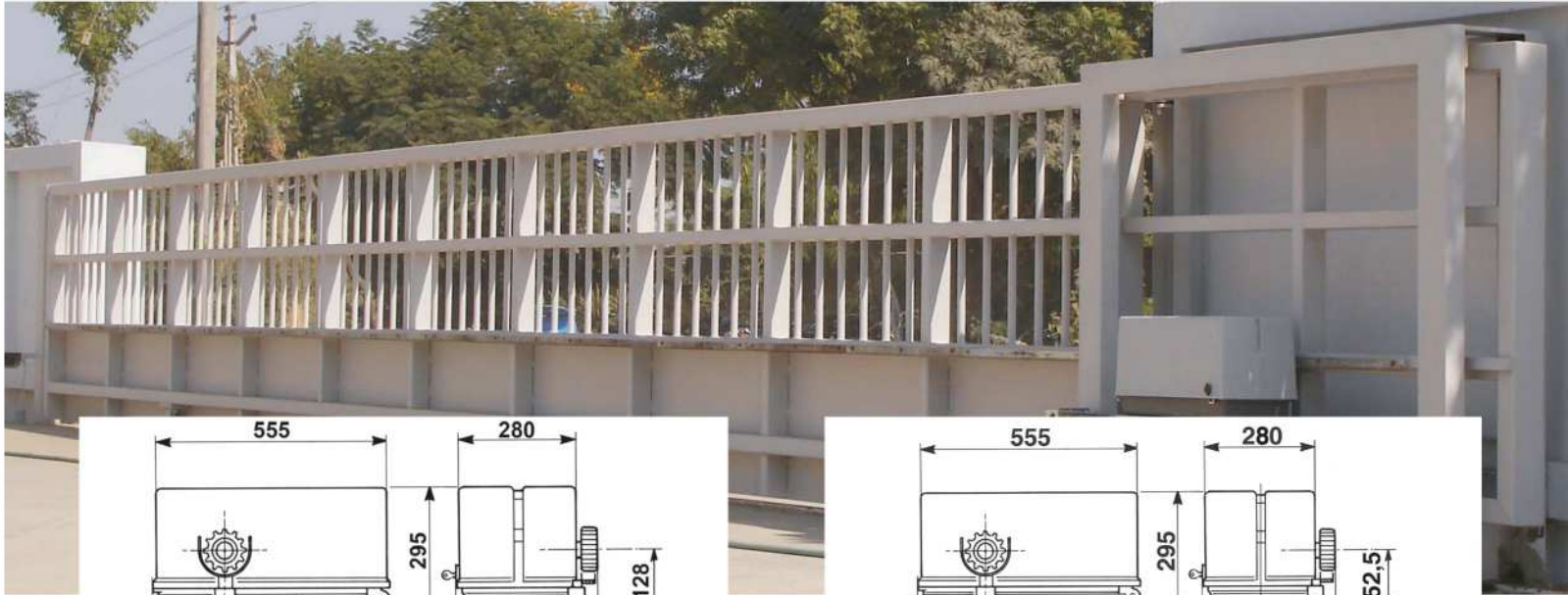
Once installed, the unit only requires occasional maintenance to ensure a smooth and efficient service.

CÓDIGO	SKU	MODELO	DESCRIPCIÓN
RB-00001-KIT	OP-INV	S8000-220V	OPERADOR CORR 88K 8T 220V/60HZ C/CENT S1

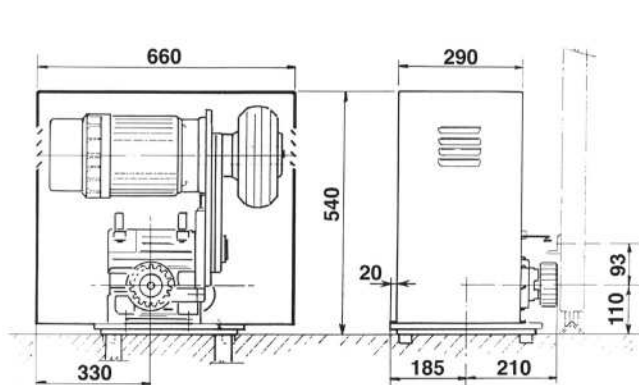




»OPERADOR ELECTROMECHANICO CORREDIZO DE CREMALLERA MODULO 6 INDUSTRIAL  
USO INTENSIVO TECNOLOGIA INVERTER MARCA RIB  
●MOD.SUPER 8000 FAST.

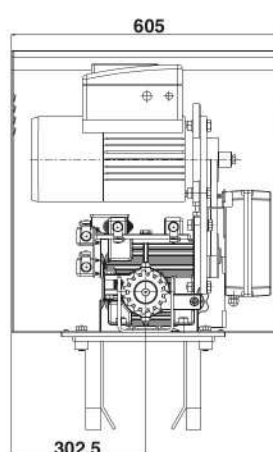


»OPERADOR ELECTROMECHANICO CORREDIZO DE CREMALLERA MODULO 6 INDUSTRIAL  
USO INTENSIVO TECNOLOGIA INVERTER MARCA RIB  
●MOD.SUPER 8000 FAST.

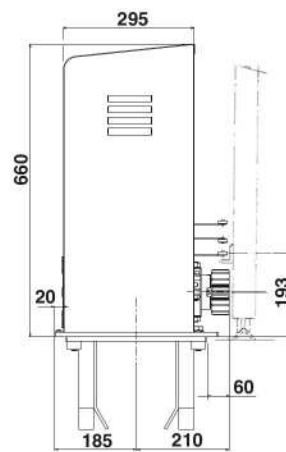


Measurements in mm

SUPER 6000



SUPER 8000 FAST



TECHNICAL DATA		SUPER 2200	SUPER 2200 FAST*	SUPER 3600	SUPER 3600 FAST*	SUPER 4000	SUPER 6000	SUPER 8000 FAST	
Control Panel		S1-CRX		S1/R2-CRX			S1/R4-CRX	S1-CRX	
Max. gate weight	kg	2200		3600		4000	6000	8000	
Operating speed	m/s	0,173	0,336	0,165	0,33	0,165	0,160	0,33	
Thrust force	N	1060	900	3800	2380	4400	9000		
Max torque	Nm	31,8	27	159	99	185	405		
Power Supply**		230V~ 50/60Hz**				400V 3~ 50/60Hz**			
Motor capacity	W	369	496	570	608	1300	3000		
Motor absorption	A	2	2,43	2,98	3,33	1,6	6,39		
Rack Module	M	4		6					
Weight of operator	kg	25		42		123	120		
Protection grade	IP	55							
Daily cycles suggested	n°	500	600	700					
Service	%	70	80	100					
Guaranteed consecutive cycles	n°	15/10m	20/10m	700/10m					
Operating temperature	°C	-10 ÷ +55							

\* SUPER FAST

- High speed operator.
- Intended only for passage of vehicles.
- Install only if you are sure that nobody is in the reach of the gate.
- Make sure that appropriate safety devices are used as shown in EN12445 to avoid that something or somebody could be hit by the gate.

- To use metal RIB rack only.

It is strongly recommended to install SUPER FAST on gates that end up their closure run next to the pillar and not against it or against a U shaped iron bar.

\*\* SUPER are available also for other voltages.

SUPER ICE - all operators are available in ICE version for cold temperatures.

